

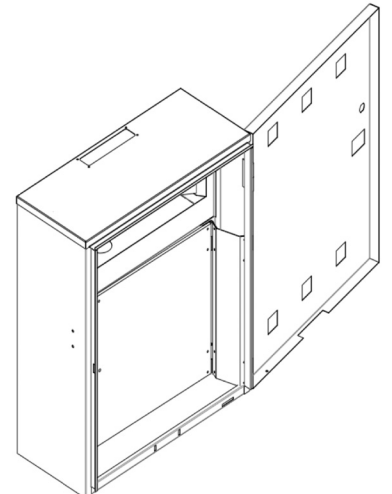
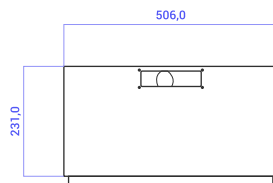
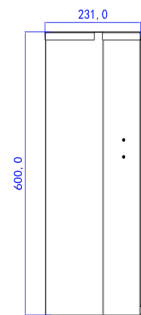
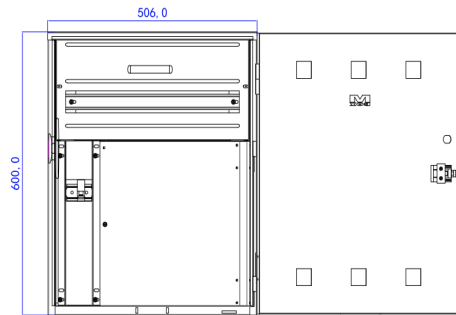
MES121NR

Standard Meter Enclosure & Switchboard Range
SA Type 1



IP23

Enclosure Range



Technical Specifications

Specifications	Width	Height	Depth
Enclosure Size	500	600	250
Meter Panel	350	350	6
Neutral Grid	11 x Ø5mm (Suits up to 10mm) 9 x Ø8mm (Suits up to 25mm)		
Earth Grid	10 x Ø5mm (Suits up to 10mm) 1 x Ø8mm (Suits up to 25mm)		

SA Type 1 Straight Sided (Non Rebated)

Product	Order Code	Meter Isolator	DIN	Panel Isolator
SA Type 1	MES121NR	Not Supplied	21 Pole	No MCB Supplied
SA Type 1 with Single Phase MI	MES121NR-MI	Yes	21 Pole	1P 63A 6kA
SA Type 1 with Three Phase MI	MES121NR-MI3P	Yes	21 Pole	3P 63A 6kA

Accessory/Spare Parts	Order Code	Description
SA Type 1 - Rain Hood (Suits SA Type2)	RHS1	▶ Rain Hood - Powder Coated Steel (Non Rebated Only)
SA Type 1 - 1000mm Plinth (Suits SA Type2)	PLS1-100	▶ Plinth - 3mm Powder Coated Steel 1m High (Non Rebated Only)
SA Type 1 - 750mm Plinth (Suits SA Type2)	PLS1-75	▶ Plinth - 3mm Powder Coated Steel 0.75 m High (Non Rebated Only)
Door & Latch	DRS1L	▶ Door with Latch & Higes - 1.0mm Powder Coated Steel
SA Type 1 STD Pre-drilled Panel (Suits NR)	MPS1-D	▶ Meter Panel-350mm x 350mm Machined Meter Panel with Hinges
SA Type 1 STD Panel-Blank (Suits NR)	MPS1-B	▶ Meter Panel-350mm x 350mm Blank Meter Panel with Hinges

KEY FEATURES

- ▶ SA Power Network Approved
- ▶ Designed to meet AS3000 Standard
- ▶ IP23 Protection Rating
- ▶ Powdercoat Finish (RAL7035)
- ▶ Pre-drilled Type X Meter Panel (H350mm x W350mm)
- ▶ Full 21 Module DIN Capacity Switchboard
- ▶ Quality Hinged Door (Removable)
- ▶ Generous Wiring Room & Cable Access Top / Bottom
- ▶ 3 Additional Neutral Connections Provided For RCD
- ▶ Parts Bag Included
- ▶ Provision for Lockable door
- ▶ 63A Meter Isolator
- ▶ Optional XL wide panel
- ▶ Available In Rebated & Straight Sided Options
- ▶ Optional Plinth & Rain Hood For Free Standing Application (Straight Sided Only)